

Dalmaray Concrete Products Inc.

Tank Model 1000/300/750

Model 1000/300/750 Septic/Septic/Pump Siphon, or Septic

DIMENSIONS:

LENGTH - 156"

WIDTH - 96"

HEIGHT - 60"

BELOW INLET - 47"

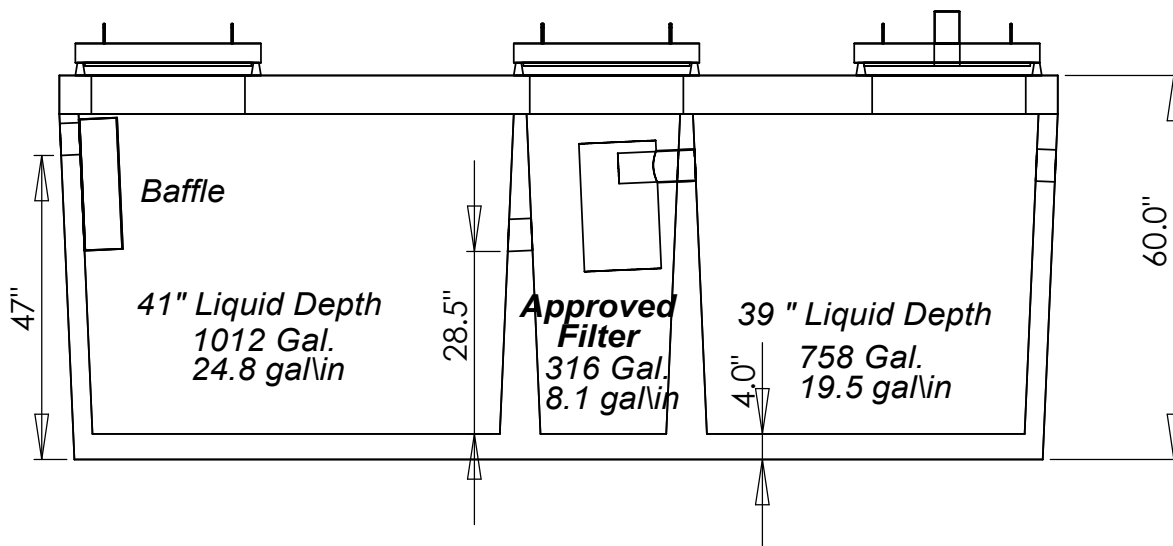
TANK WEIGHT - 13560 lb.

LID WEIGHT - 7800 lb.

MAX DEPTH OF BURY 108"

1002 GPD WHEN USED AS
A SEPTIC/SEPTIC/SEPTIC TANK

638 GPD WHEN USED AS
A SEPTIC/SEPTIC/PUMP OR
SIPHON TANK
--BASED ON 3 YR INTERVAL



Dalmaray Concrete Products Inc.

405 S. Arch St.
Janesville, WI 53548
(608)-752-6507
Toll Free:(888)-222-4541
Fax: (608)-752-5671
www.dalmaray.com