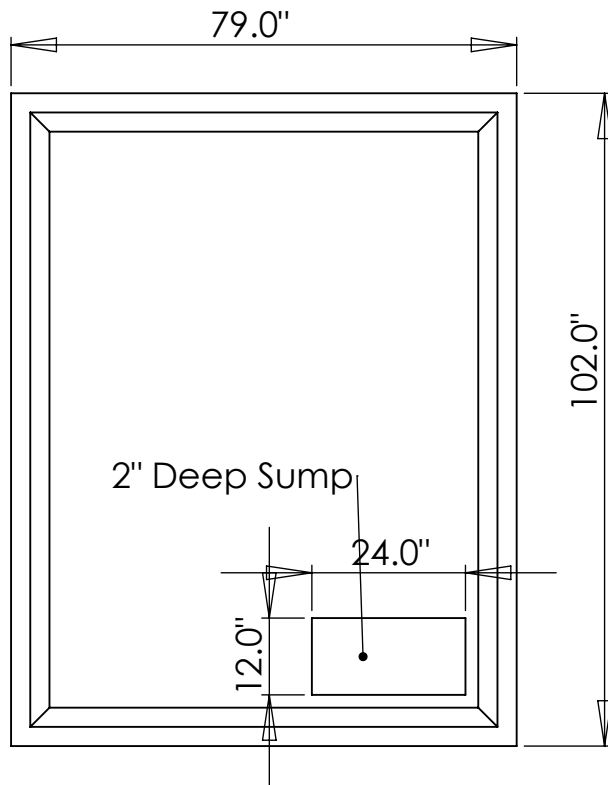


# *Dalmaray Concrete Products Inc.*

## *500 Gallon Containment Vessel*



- Holds Fuel Tanks 48" x 72"
- Min Compressive Strength of 5000 psi
- Fully Reinforced Vessel
- Siphon Arrangement Provide for Removal of Water and Spilled Petroleum
- 3" Thick Walls

