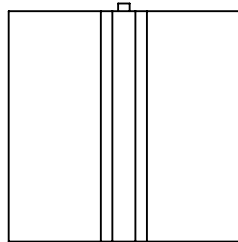
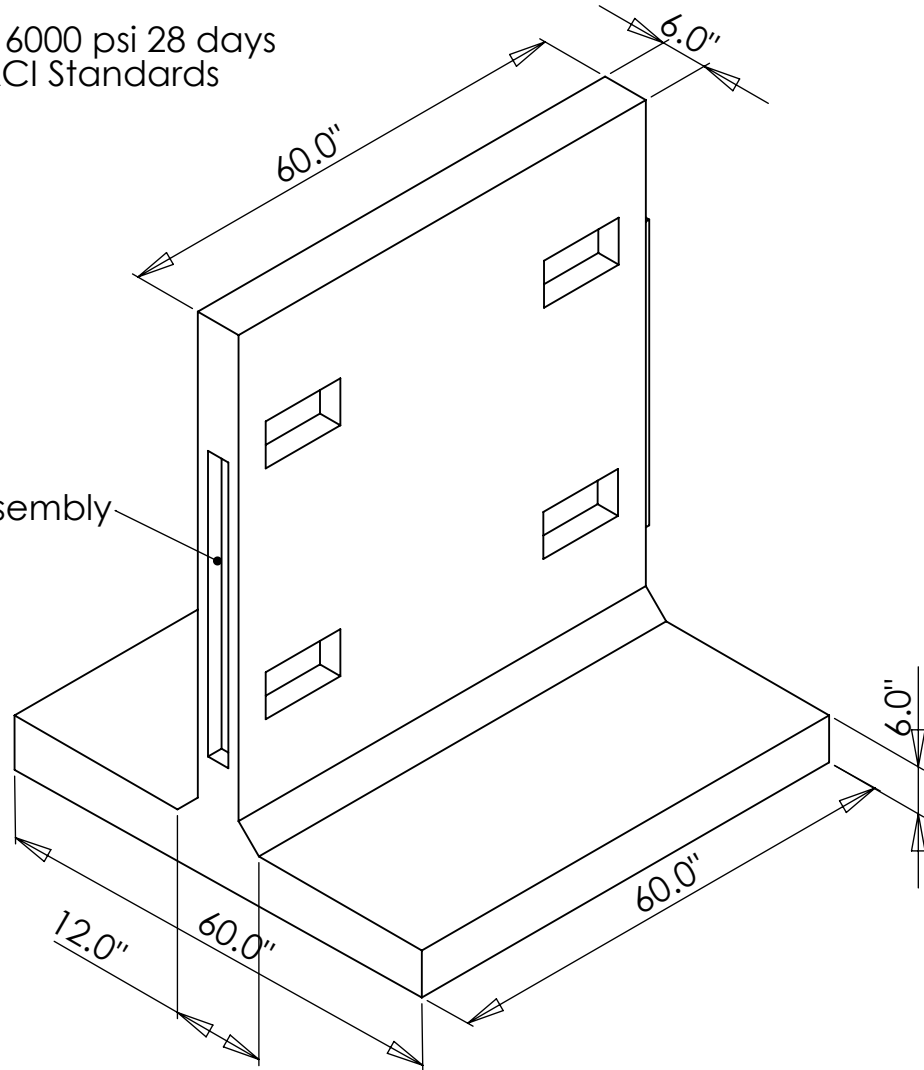


Min Compressive Strength 6000 psi 28 days
Reinforced to ASTM and ACI Standards



2" Deep
Tongue and Groove Assembly



PROPRIETARY AND CONFIDENTIAL
THE INFORMATION CONTAINED IN THIS
DRAWING IS THE SOLE PROPERTY OF
DALMARAY. ANY
REPRODUCTION IN PART OR AS A WHOLE
WITHOUT THE WRITTEN PERMISSION OF
DALMARAY IS
PROHIBITED.

		UNLESS OTHERWISE SPECIFIED:	NAME	DATE	TITLE: 6' BUNKER PANEL	
		DIMENSIONS ARE IN INCHES TOLERANCES: FRACTIONAL ± ANGULAR: MACH ± BEND ± TWO PLACE DECIMAL ± THREE PLACE DECIMAL ±	DRAWN	AJA 9/11		
		INTERPRET GEOMETRIC TOLERANCING PER:	CHECKED		A	6B1
		MATERIAL	ENG APPR.			
		FINISH	MFG APPR.		SCALE: 1:50	WEIGHT:
NEXT ASSY	USED ON		Q.A.		SHEET 1 OF 1	
APPLICATION		DO NOT SCALE DRAWING	COMMENTS:			