

# Dalmaray Concrete Products Inc.

## Tank Model 1000/1000/750

Model 1000/1000/750 Septic/Septic/Pump or Siphon, Septic, Pump, or Holding

1335 GPD WHEN USED AS A SEPTIC/SEPTIC/SEPTIC TANK

967 GPD WHEN USED AS A SEPTIC/SEPTIC/PUMP OR SIPHON TANK  
--BASED ON 3 YR INTERVAL

**DIMENSIONS:**

LENGTH - 203"

WIDTH - 96"

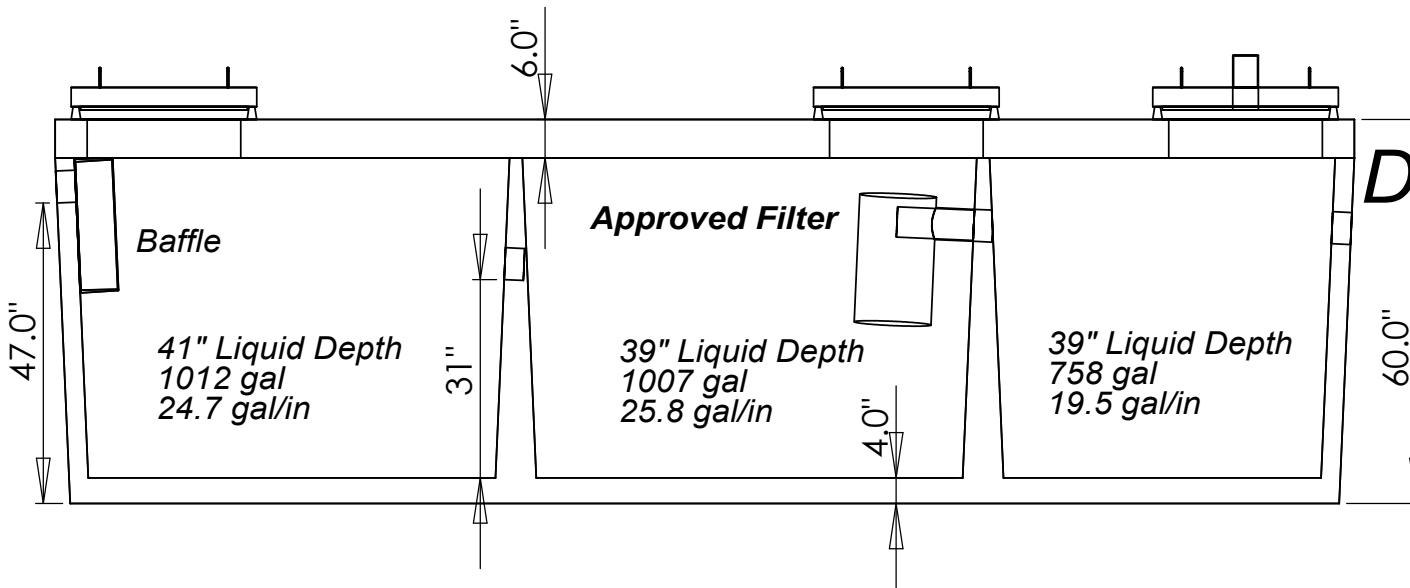
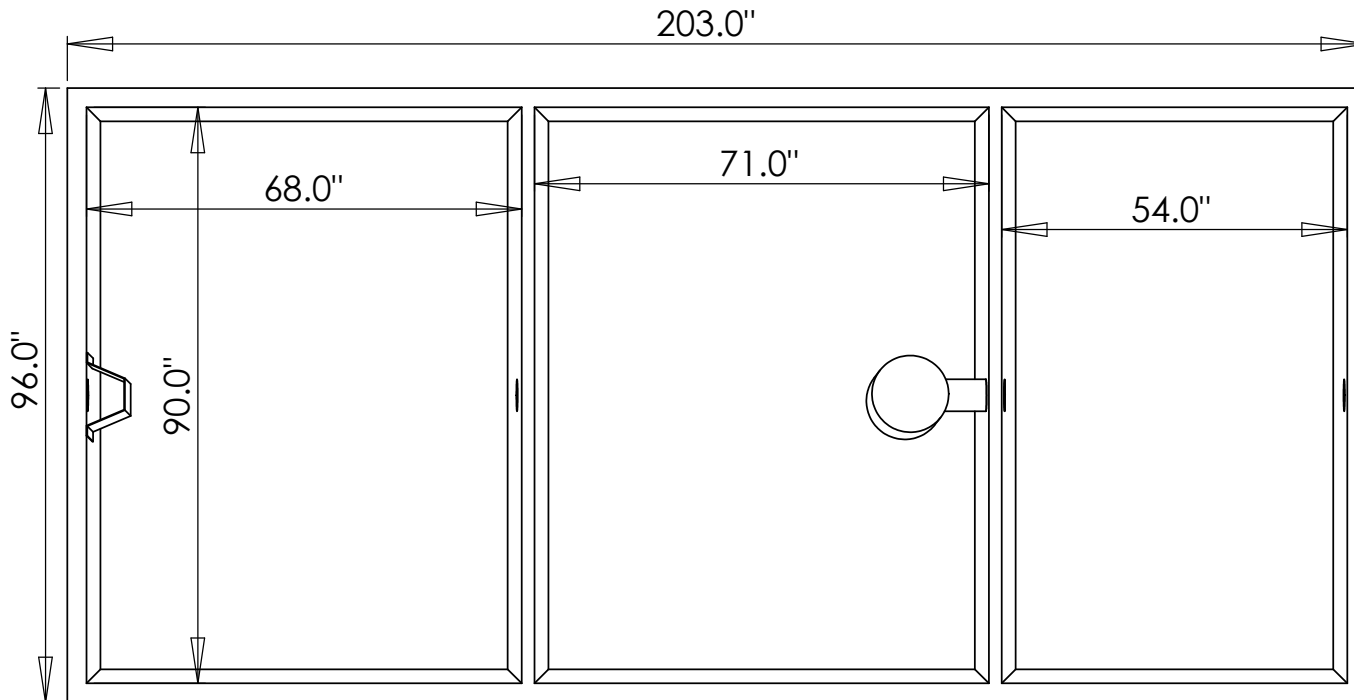
HEIGHT - 60"

BELOW INLET - 47"

TANK WEIGHT - 16800 lb.

LID WEIGHT - 10200 lb.

MAX DEPTH OF BURY 108"



# Dalmaray Concrete Products Inc.

405 S. Arch St.

Janesville, WI 53548

(608)-752-6507

Toll Free: (888)-222-4541

Fax: (608)-752-5671