

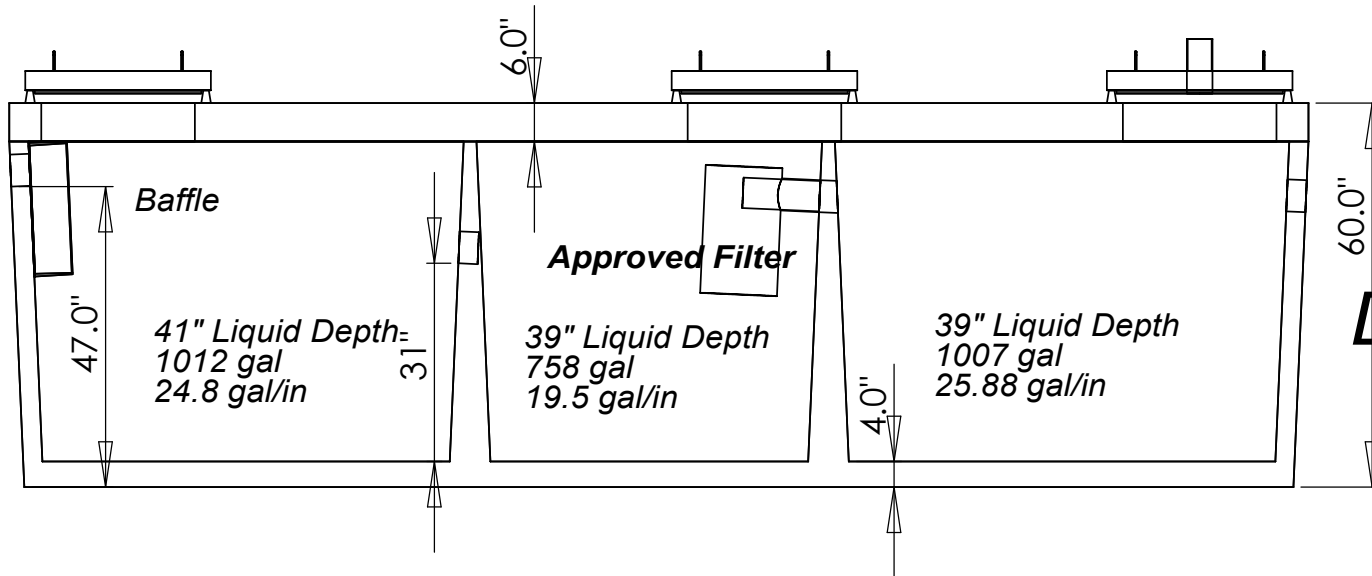
Dalmaray Concrete Products Inc. Tank Model 1000/750/1000

Model 1000/1000/750 Septic/Septic/Pump
or Siphon, Septic, Pump, or Holding

1335 GPD WHEN USED AS
A SEPTIC/SEPTIC/SEPTIC TANK

852 GPD WHEN USED AS
A SEPTIC/SEPTIC/PUMP OR
SIPHON TANK
--BASED ON 3 YR INTERVAL

96.0"



DIMENSIONS:

LENGTH - 203"

WIDTH - 96"

HEIGHT - 60"

BELOW INLET - 47"

TANK WEIGHT - 16800 lb.

LID WEIGHT - 10200 lb.

MAX DEPTH OF BURY 108"

Dalmaray Concrete Products Inc.

405 S. Arch St.
Janesville, WI 53548
(608)-752-6507
Toll Free: (888)-222-4541
Fax: (608)-752-5671