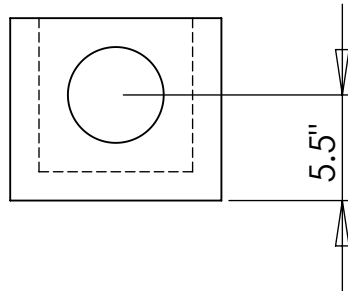
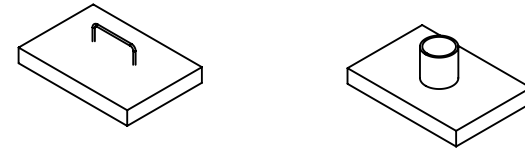


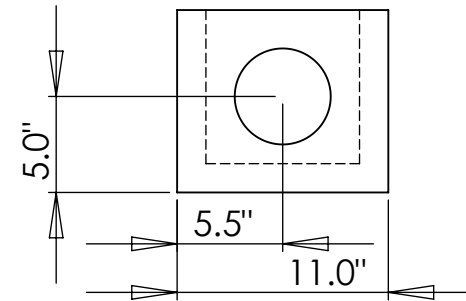
Small distribution box Inlet



Covers for distribution box



Small distribution box outlet



PROPRIETARY AND CONFIDENTIAL
 THE INFORMATION CONTAINED IN THIS
 DRAWING IS THE SOLE PROPERTY OF
 <INSERT COMPANY NAME HERE>. ANY
 REPRODUCTION IN PART OR AS A WHOLE
 WITHOUT THE WRITTEN PERMISSION OF
 Dalmaray Concrete Products IS
 PROHIBITED.

		UNLESS OTHERWISE SPECIFIED:		NAME	DATE	
		DIMENSIONS ARE IN INCHES	DRAWN	CDA	3/29/10	
		TOLERANCES:	CHECKED			TITLE:
		FRACTIONAL ±	ENG APPR.			
		ANGULAR: MACH ± BEND ±	MFG APPR.			
		TWO PLACE DECIMAL ±	Q.A.			
		THREE PLACE DECIMAL ±	COMMENTS:			
		INTERPRET GEOMETRIC TOLERANCING PER:				SIZE DWG. NO. REV
		MATERIAL				A Sm D-Box
NEXT ASSY	USED ON	FINISH				SCALE: 1:5 WEIGHT: SHEET 1 OF 1
APPLICATION		DO NOT SCALE DRAWING				