

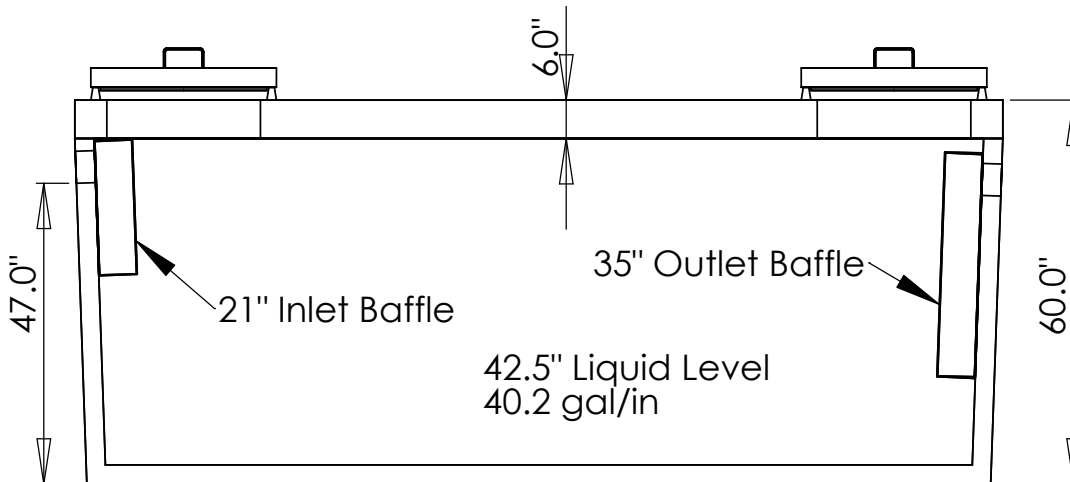
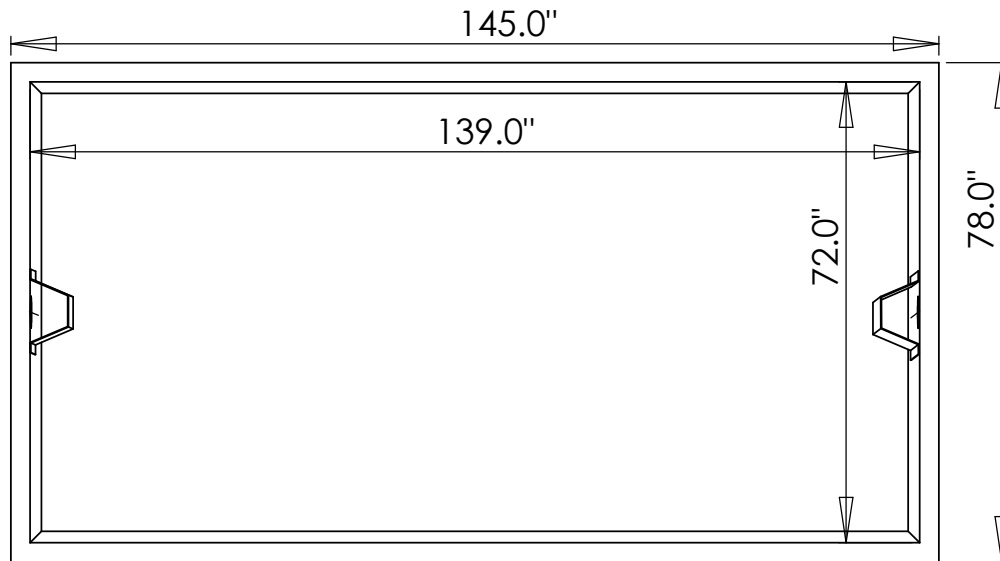
# Dalmaray Concrete Products Inc.

## Tank Model 1650 Grease Interceptor

Model 1650 Grease Interceptor

1710 gal. septic  
1790 gal. holding

818 GPD WHEN USED AS A SEPTIC TANK  
BASED ON A 3 YR SERVICE INTERVAL



### **DIMENSIONS:**

LENGTH - 145"

WIDTH - 78"

HEIGHT - 60"

BELOW INLET - 47"

TANK WEIGHT - 8900 lb.

LID WEIGHT - 6000 lb.

MAX DEPTH OF BURY 108"

# Dalmaray Concrete Products Inc.

405 S. Arch St.  
Janesville, WI 53548  
(608)-752-6507  
Toll Free: (888)-222-4541  
Fax: (608)-752-5671