

**Dalmaray Concrete
Products Inc.**

**Tank Model 750/1250
Hanging FAST Unit**

*Model 750/1250 For Bio-Microbics 0.5, 0.75,
0.9, and 1.0 High Strength Fast System*

DIMENSIONS:

LENGTH - 146"

WIDTH - 78"

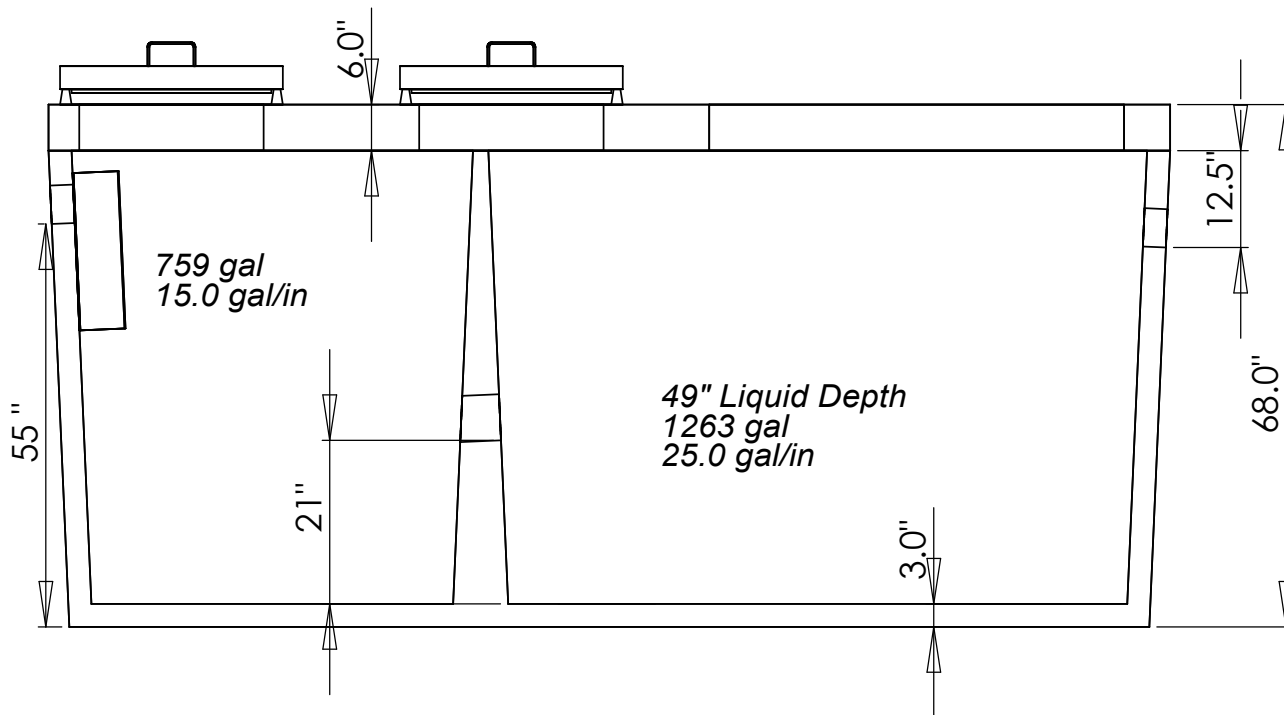
HEIGHT - 68"

BELOW INLET - 55"

TANK WEIGHT - 9600 lb.

LID WEIGHT - 6000 lb.

MAX DEPTH OF BURY 108"



**Dalmaray Concrete
Products Inc.**

405 S. Arch St.
Janesville, WI 53548
(608)-752-6507
Toll Free: (888)-222-4541
Fax: (608)-752-5671