

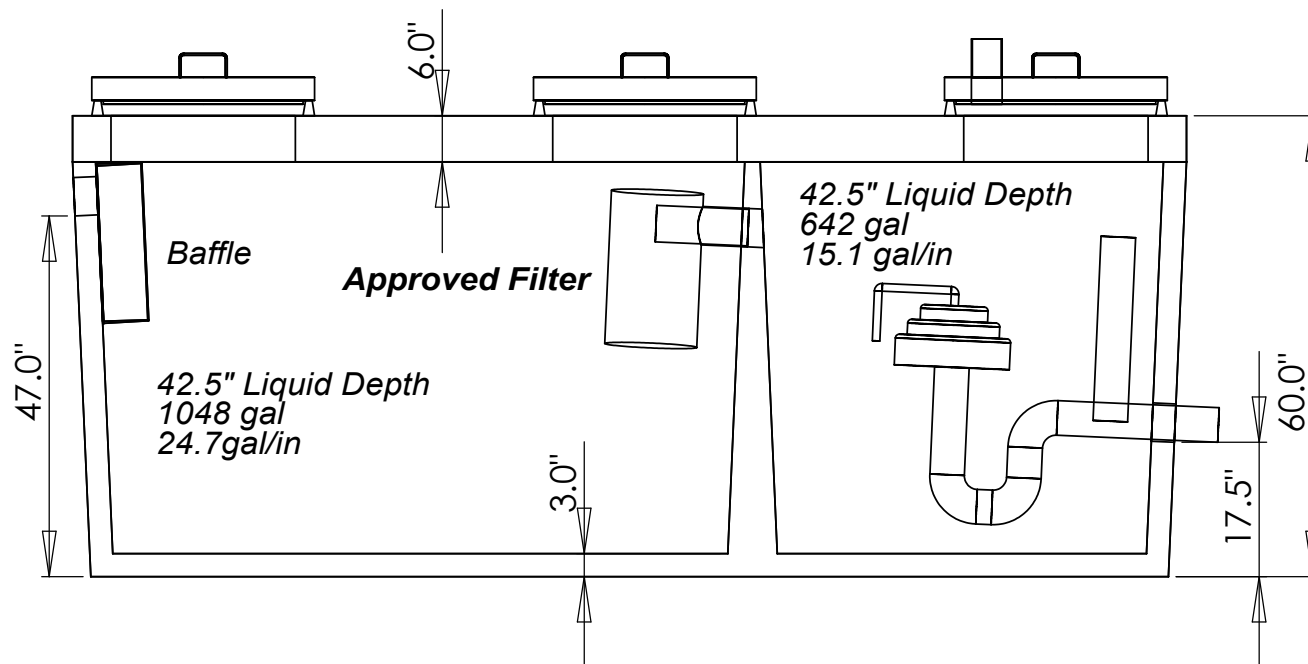
**Dalmaray Concrete
Products Inc.**

**Tank Model 1000/600
Siphon**

Model 1000/600 Septic/Siphon
503 GPD as Septic/Pump or Siphon

DIMENSIONS:

LENGTH - 145"
WIDTH - 78"
HEIGHT - 60"
BELOW INLET - 47"
TANK WEIGHT - 9600 lb.
LID WEIGHT - 6000 lb.
MAX DEPTH OF BURY 108"



**Dalmaray Concrete
Products Inc.**

405 S. Arch St.
Janesville, WI 53548
(608)-752-6507
Toll Free: (888)-222-4541
Fax: (608)-752-5671