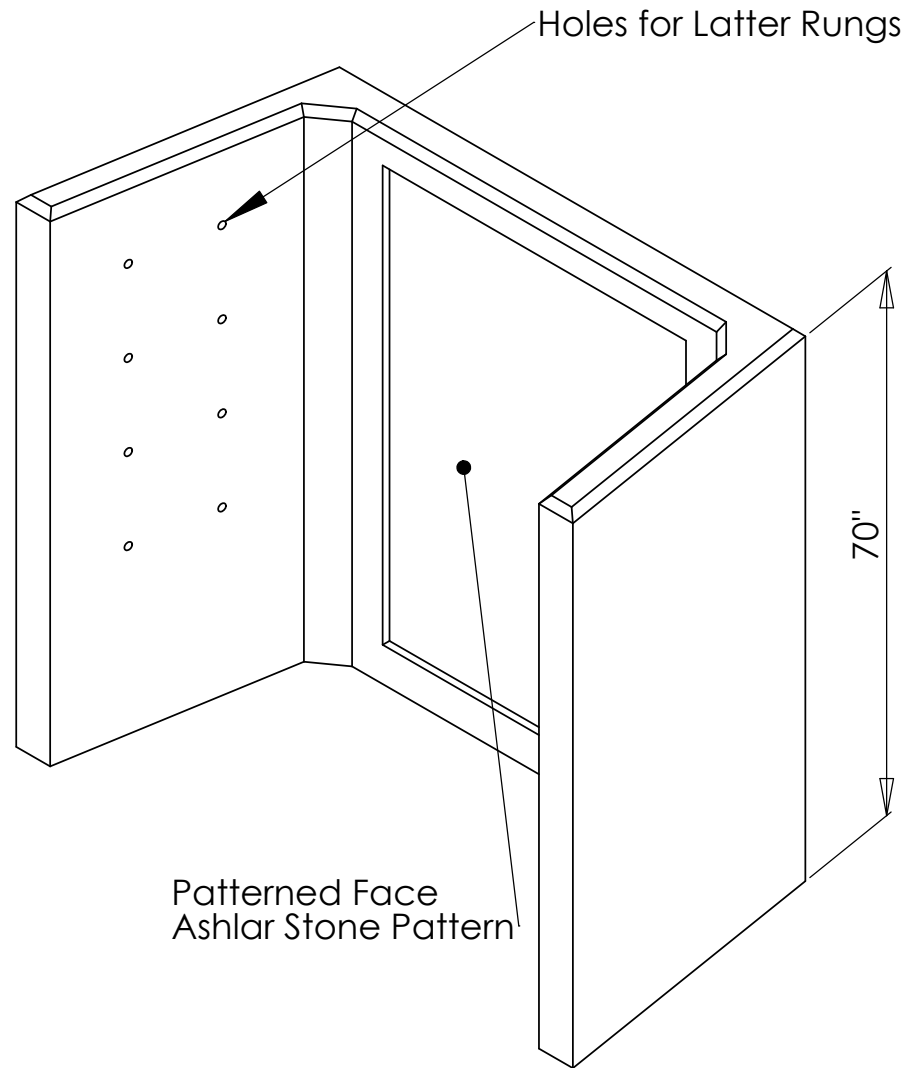


Dalmaray Concrete Products Inc.

Window Well



Minimum 5000 psi Concrete
Fully Reinforced with #4 Bar

